



Emergency Ballasts

Compact Fluorescent

BHD94GU



Project: _____
Type: _____
Model No: _____ Qty: _____
Date: _____
Notes: _____

Hazardous Locations One 4-Pin Compact Lamp Illumination w/o Integral Starter End-of-Lamp-Life Compatible

Product order number: BHD94GU (galvanized metal case)

Specifications

UL COMPONENT RECOGNIZED

Factory Installation Only
(Damp)

Illumination Time

90 Minutes

Initial Light Output

300 - 750 Lumens

Full Warranty

3 Years (NOT pro-rata)

Universal Input Voltage

120 Through 277 VAC, 50 or 60 Hz

AC Input Current

50 mA

AC Input Power Rating

4.0 Watts

Test Switch

Single Pole

Battery

High-Temperature, Maintenance-Free
Nickel-Cadmium Battery
7- to 10-Year Life Expectancy

Battery Charging Current

300 mA

Recharge Time

24 Hours

Charging Indicator Light

LED

Temperature Rating (Ambient)

0°C to + 50°C (32°F to 122°F)

Dimensions

9.4" x 2.6" x 1.5"
(238 mm x 67 mm x 38 mm)
Mounting Center 8.9" (226 mm)

Weight

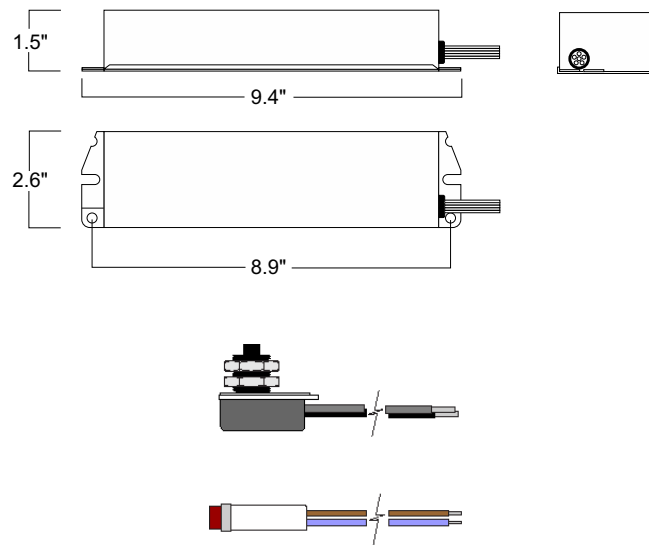
3.3 lbs. (1.49 kg)

Benefits:

- For Class I, Division 2 Fixtures
- Universal input (120 through 277 VAC)
- End-of-Lamp-Life Compatible

Dimensions

9.4" x 2.6" x 1.5" (mounting center - 8.9")



A test switch and charging indicator light is provided.



BHD94GU

Flourescent Emergency Ballast, Hazardous Locations

Table 1 Initial Lumen Output

LAMP (4-PIN)	LUMENS
	1 Lamp
PL-T 42 W/4P, Dulux T/E 42W	750
PL-T 32 W/4P, Dulux T/E 32 W	700
PL-T 26 W/4P, Dulux T/E 26 W, F26TBX/4P	525
PL-T 18 W/4P, Dulux T/E 18 W, F18TBX/4P	450
PL-C 26 W/4P, Dulux D/E 26 W, F26DBX/4P	525
PL-C 18 W/4P, Dulux D/E 18 W, F18DBX/4P	400
PL-L 40 W, Dulux L 40 W, F40/30BX/4P	650
PL-L 36 W, Dulux L 39 W, F39/3BX/4P	600
PL-L 24 W, Dulux L 27 W, F27/24BX/4P	425
PL-C 18 W, Dulux L 18 W, F18 BX F382D/4P	300 625

APPLICATION

The BHD94GU Universal Input emergency ballast works in conjunction with an AC ballast to convert fluorescent fixtures into emergency lighting. The emergency ballast handles a wide range of input voltages and frequencies and consists of a high-temperature nickel-cadmium battery, charger, hermetically sealed relays and electronic circuitry in one compact red case. The BHD94GU can be used with one 18 - 42 W (4-pin) twin, quad or triple twin-tube compact. It is also compatible with one-, two-, three- and four-lamp electronic, standard, energy-saving and dimming AC ballasts. If used in an emergency-only fixture, no AC ballast is necessary. The BHD94GU is **UL Component Recognized for factory installation only** and is suitable for use in Class I, Division II type fixtures. It is suitable for indoor and damp locations and for sealed & gasketed fixtures, including fixtures rated for wet locations. These fixtures should be tested by the fixture manufacturer in accordance to the standards pertaining to Class I, Division II applications. This unit is not suitable for air handling heated air outlets. For information about specific lamp and ballast compatibility, please call the factory. Recommended applications include: hazardous locations; line voltages from 120 - 277 VAC (50 or 60 Hz); drilling rigs where generators are the primary source of power; and other applications requiring higher tolerance of line voltage variation or harmonic distortion.

OPERATION

When AC power fails, the BHD94GU immediately switches to the emergency mode, operating one lamp at a reduced lumen output for a minimum of 90 minutes. When AC power is restored, the emergency ballast automatically returns to the charging mode and, using a patented circuit, delays AC ballast operation for approximately three seconds to prevent false tripping of the AC ballast end-of-lamp-life shutdown circuits.

INSTALLATION

The BHD94GU does not affect normal fixture operation and may be used with either a switched or unswitched fixture. If a switched fixture is used, an unswitched hot must be connected to the emergency ballast. The emergency ballast must be fed from the same branch circuit as the AC ballast. The BHD94GU may be installed inside or on top of the fixture. Installation is not recommended with fixtures where the ambient temperature may fall below 0°C. Please note: Test switch supplied is not rated for hazardous locations.

EMERGENCY ILLUMINATION

Depending on the wattage and type of lamp selected, the BHD94GU produces 300 to 750 lumens initial emergency light output (see Table 1). During emergency operation, one lamp is illuminated, even if installed with a multi-lamp AC ballast.

SPECIFICATION

Emergency lighting shall be provided by using a hazardous location fluorescent fixture equipped with a Philips Bodine BHD94GU emergency ballast. The emergency ballast shall consist of a high-temperature, maintenance-free nickel-cadmium battery, charger and electronic circuitry contained in one 9 3/8" x 2 3/8" x 1 1/2" red metal case. A test/monitor plate with a solid-state charging indicator light to monitor the charger and battery, a single-pole test switch and installation hardware shall be provided. The emergency ballast, using a patented circuit, shall delay AC ballast operation for approximately 3 seconds to prevent false tripping of AC ballast end-of-lamp-life shutdown circuits. The emergency ballast shall be capable of operating one _____ fluorescent lamp at _____ lumens (see Table 1) initial light output in the emergency mode for a minimum of 90 minutes. It shall be suitable for indoor and damp locations and for sealed & gasketed fixtures it shall be suitable for use in Class I, Division II type fixtures. The BHD94GU shall have 4.0 Watts of input power and a 14.4 Watt-hour battery capacity and shall comply with emergency standards set forth by the current NEC and CEC. The emergency ballast shall be UL Component Recognized for factory installation with a hazardous location fixture.

WARRANTY

Model BHD94GU is warranted for three (3) full years from date of purchase. Please see detailed warranty information on our web site.

© 2016 Philips Lighting Holding B.V. All rights reserved. Philips reserves the right to make changes in specifications and/or to discontinue any product at any time without notice or obligation and will not be liable for any consequences resulting from the use of this publication.



Philips Emergency Lighting
236 Mt. Pleasant Rd.
Collierville, TN 38017
Tech Support: 888.263.4638
Sales: 800.223.5728